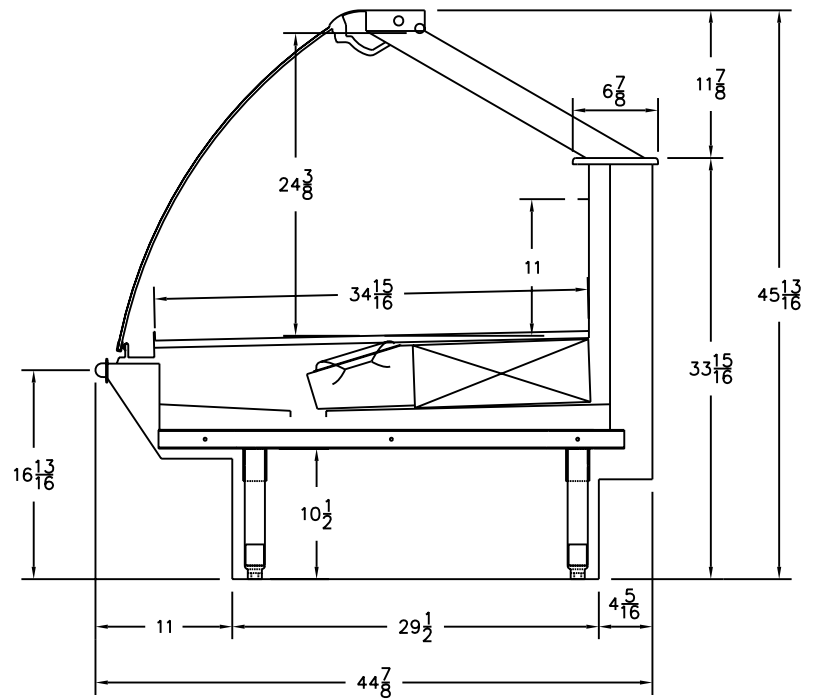


PLAN VIEW
 SCALE 1/4" = 1'-0



SECTION
 SCALE 3/4" = 1'-0

NO.	REVISIONS	DATE	BY
△			
△			
△			

DATE: 11/28/06
 SCALE: noted
 DRAWN BY: DG
 SALESMAN:

HUSSMANN®
 LIC. #644406 Hussmann Corporation
 13770 Ramona Avenue Chino, CA 91710 (909) 590-4910

Amish Gourmet Store
 Q1 Service Deli Lineup

PLAN AG
 SHEET 01